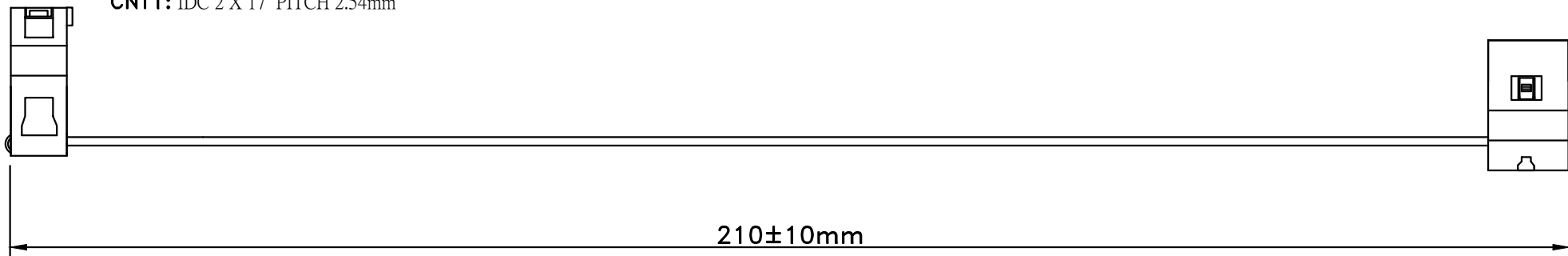


CNT2: IDC PIN 2 x 17 PITCH 2.54mm

CNT1: IDC 2 X 17 PITCH 2.54mm



ELECTRICAL PROPERTIES:

1. 100% OPEN SHORT MIS-WIRE TEST
2. Contact Resistance: 2 ohm max
3. Insulation resistance: 10Mega ohm MIN
4. Hi-Pot: 300V DC/10ms

CNT 1:		CNT 2:
1	RED	1
2	GRAY	2
	↓	
33	GRAY	33
34	GRAY	34

Tolerance: .X ± .XX ± .XXX ± X' ± .X' ±	Approved by:	SMOOTH <small>SMOOTH CORD & CONNECTOR CO., LTD.</small> customer p/n: IDC 34P / IDC PIN 34P Smooth p/n: Description: DWG NO: SHEET: 1/1 REV: B
	Checked by:	
	Drawn by:	
	Date: 2015.10.22	
	Scale: Unit: None m/m	
Specification Use Only		

NO.	DESCRIPTION	QTY	UNITS
3	CNT 2: IDC PIN 2 x 17 PITCH 2.54mm	1	PCS
2	CNT 1: IDC 2 X 17 PITCH 2.54mm	1	PCS
1	UL2561 28AWG PITCH 1.27mm 34C	1	PCS